

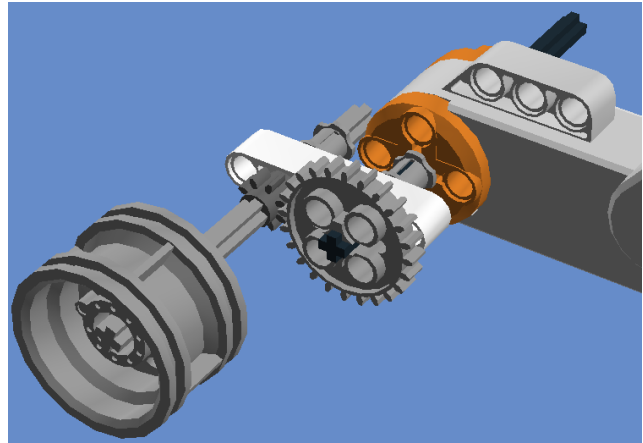
Gears Assessment Survey Answer Key

1. Describe 2 uses of gears?
 - 1) To make motorized setups go **faster**
 - 2) To make motorized setups **stronger**

2. In the figure on the right, which setup with gears will make the wheel turn faster? If you are not sure, write C.

A

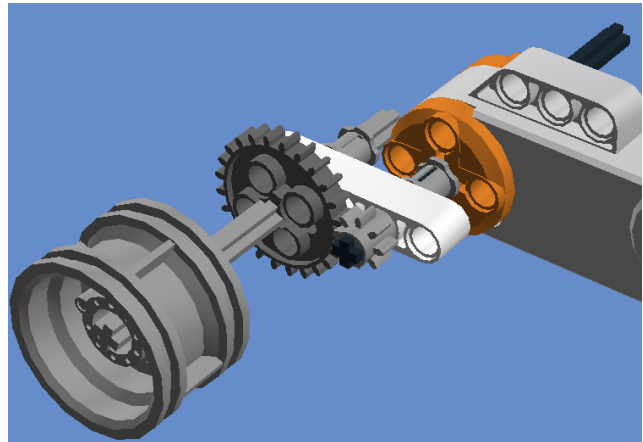
A Wheel is connected to **smaller** gear on the left.



3. In the figure on the right, which setup with gears will make the wheel move more weight? If you are not sure, write C.

B

B Wheel is connected to **larger** gear on the left.



4. What is the speed of a car that travels 10 miles in 2 hours? How did you get your answer?
 - 5 miles per hour (mph), which I got by dividing 10 by 2.

5. *What gets you excited about science?*

Solving mysteries, one experiment at a time.

6. *If you were given the chance to create this lesson which method would you use:*

a. *Lecture*

b. *Textbook reading*

c. *Movie*

d. *Hands- on activity*

e. *Researching on the internet*

7. *Do you think Robotics can be helpful when used to collect data in science experiments?*

a. *Yes*

b. *No*

c. *Unsure*