

4

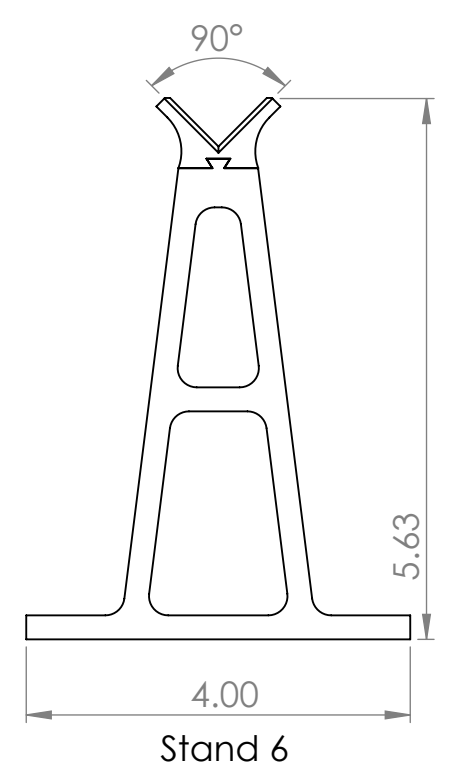
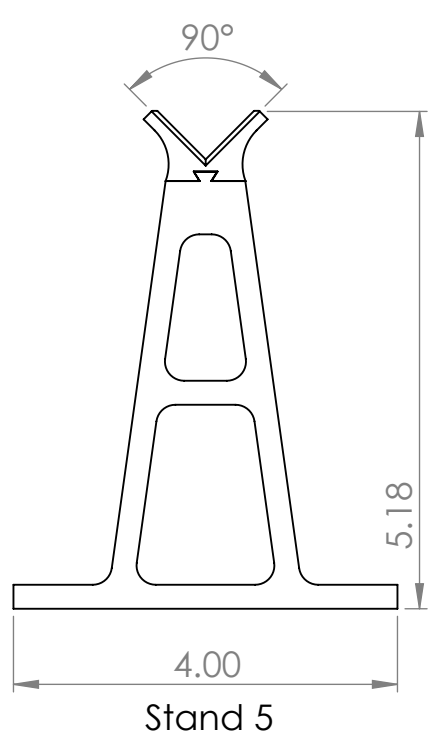
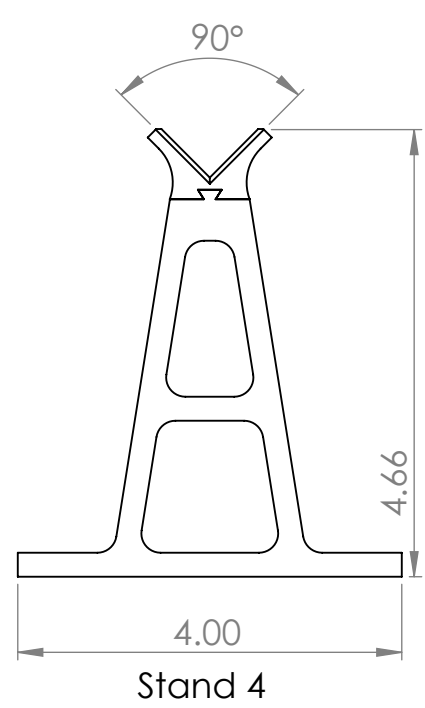
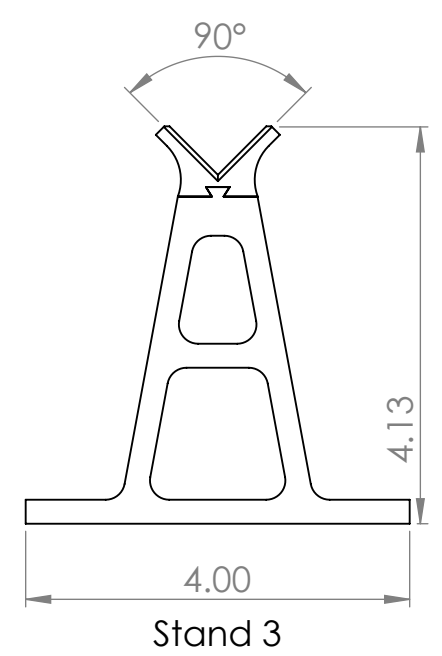
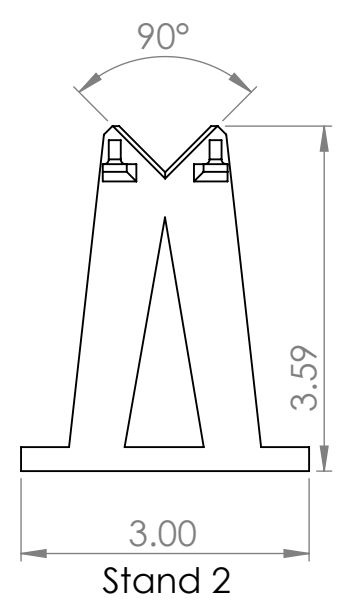
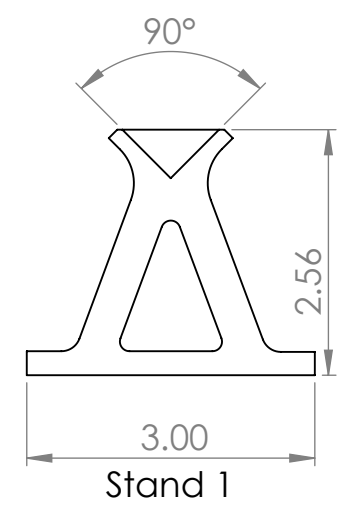
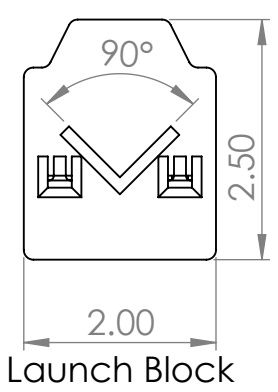
3

2

1

B

B



A

A

		UNLESS OTHERWISE SPECIFIED:		NAME	DATE	Melanie Finn-Scofield
		DIMENSIONS ARE IN INCHES TOLERANCES: FRACTIONAL: ± ANGULAR: MACH ± BEND ± TWO PLACE DECIMAL ± THREE PLACE DECIMAL ±		DRAWN		
		INTERPRET GEOMETRIC TOLERANCING PER:		ENG APPR.		Glider Launcher Stand Drawings
		MATERIAL 3D Printed PLA		MFG APPR.		
NEXT ASSY	USED ON	FINISH		Q.A.		SCALE: 1:2 WEIGHT: SHEET 1 OF 1
APPLICATION		DO NOT SCALE DRAWING		COMMENTS:		

4

3

2

1