

TaskBot

Building Instructions

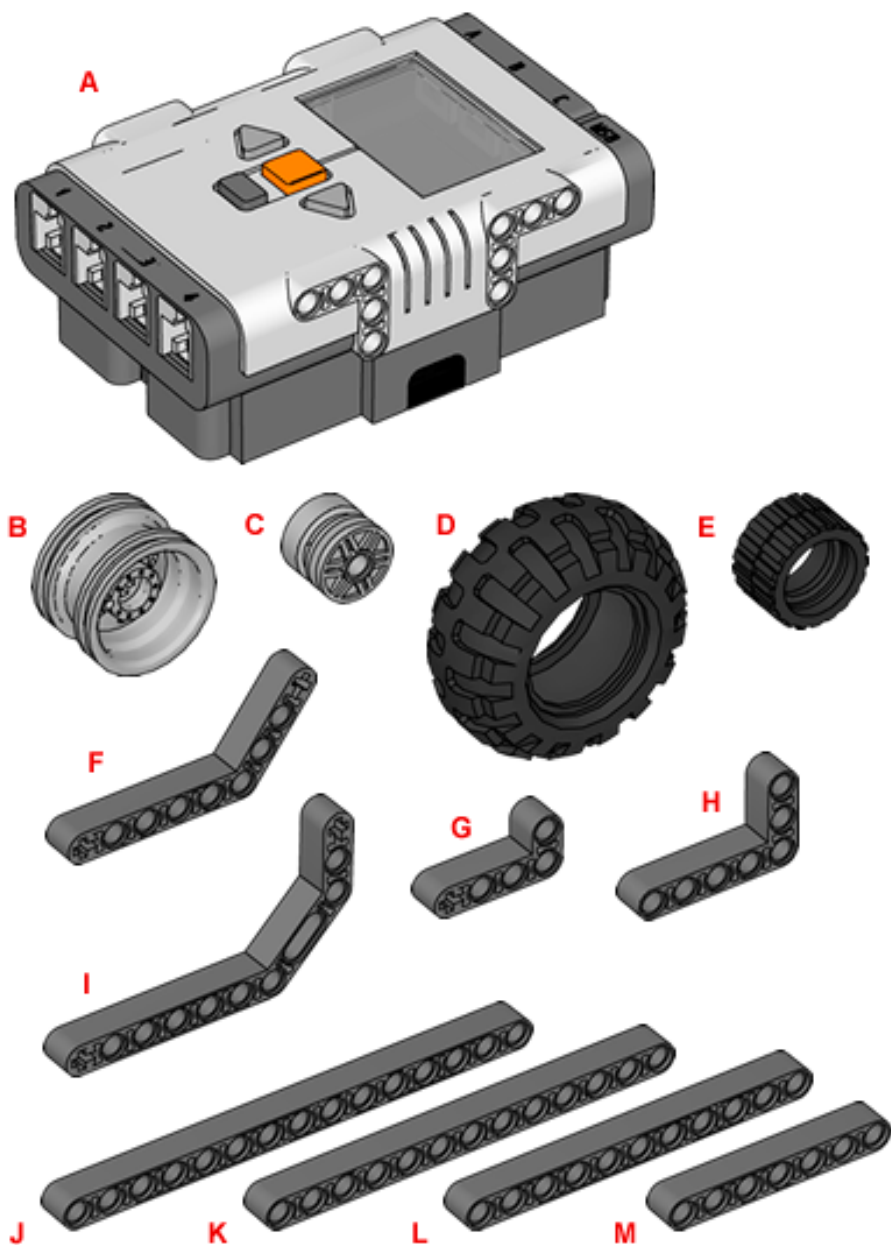


Parts Page 1

- A** 1x NXT Brick
- B** 2x 30x20 Hub
- C** 1x 18x14 Hub
- D** 2x 56x26 Tire
- E** 1x 24x14 Tire
- F** 2x 4x6 Angular Beam
- G** 4x 4x2 Angular Beam
- H** 4x 3x5 Angular Beam
- I** 4x 3x7 Angular Beam
- J** 1x 15-Module Beam
- K** 1x 13-Module Beam
- L** 1x 11-Module Beam
- M** 2x 7-Module Beam

A = Part Number

1x = Amount Needed

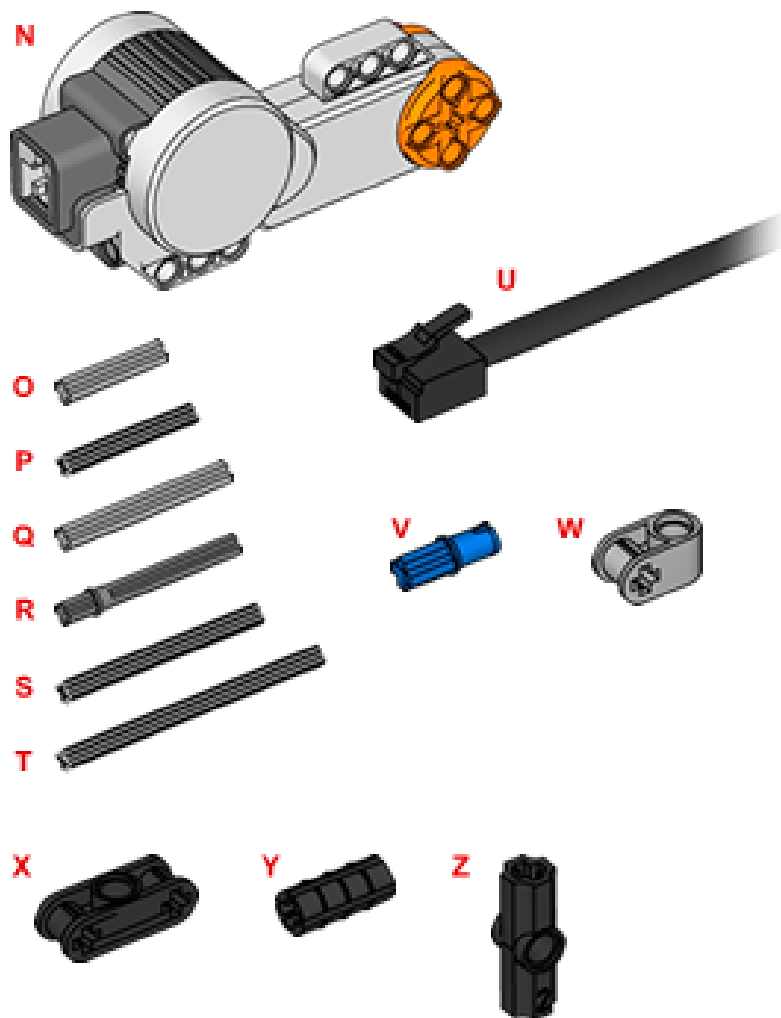


Parts Page 2

- N** 2x NXT Servo Motor
- O** 5x 3-Module Axle
- P** 5x 4-Module Axle
- Q** 4x 5-Module Axle
- R** 2x 5½-Module Axle
- S** 3x 6-Module Axle
- T** 1x 8-Module Axle
- U** 2x Cable
- V** 6x Connector Peg with Friction Axle
- W** 12x 2-Module Cross Block
- X** 3x Double Cross Block
- Y** 4x Axle Extender
- Z** 2x 180° Angular Block

A = Part Number

1x = Amount Needed



Parts Page 3

- AA** 4x 16-Tooth Gear
- BB** 6x Bushing
- CC** 5x 1/2-Module Bushing
- DD** 6x Connector Peg with Bushing
- EE** 10x 3-Module Connector Peg with Friction
- FF** 10x Connector Peg with Friction

A = Part Number

1x = Amount Needed



DD

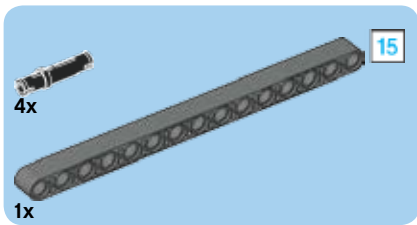


EE

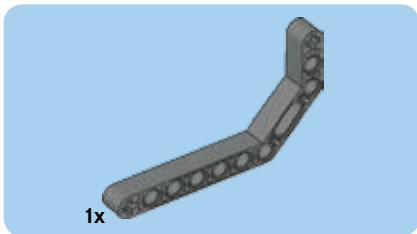
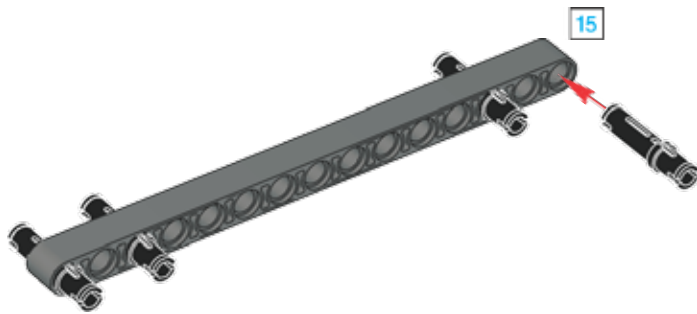


FF

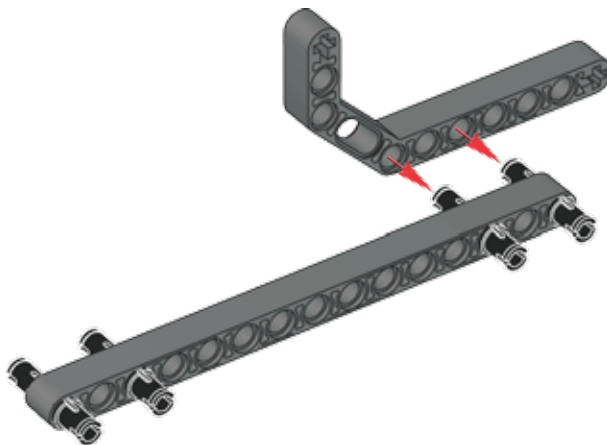


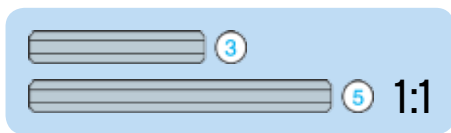
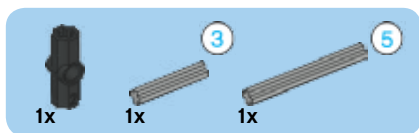


1

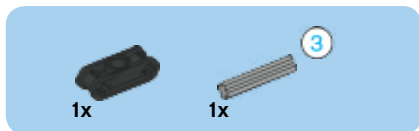
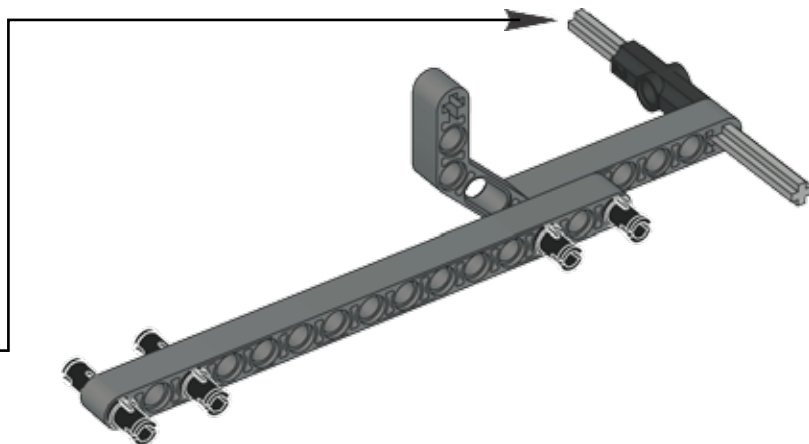
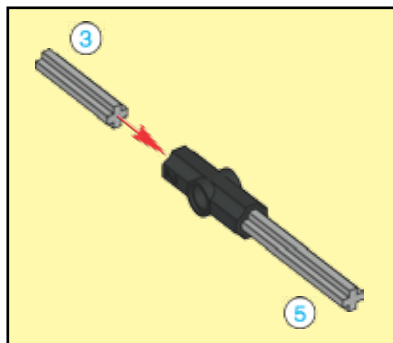


2

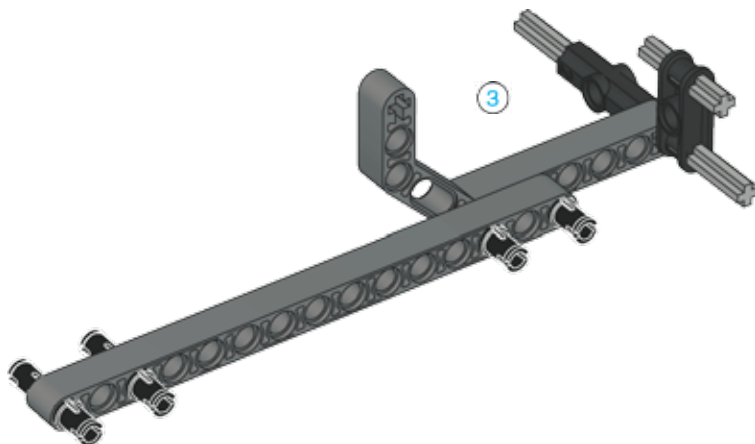


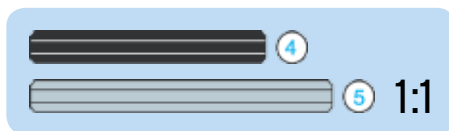
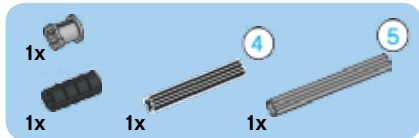


3

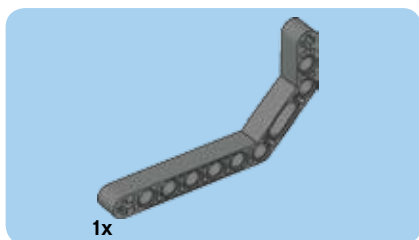
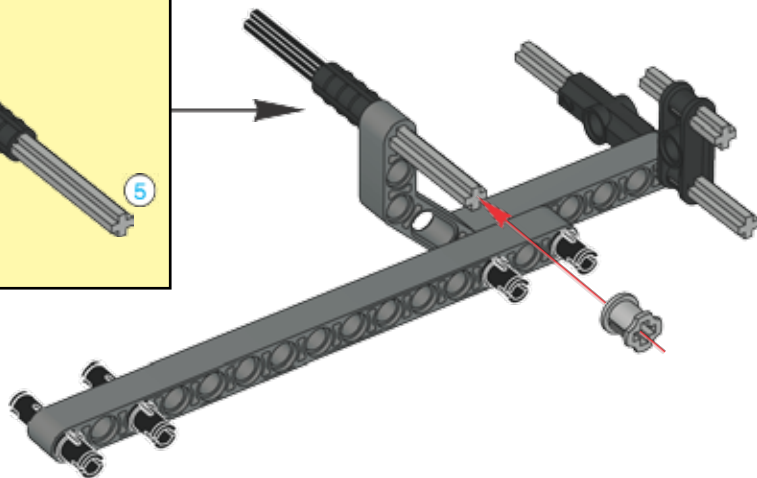
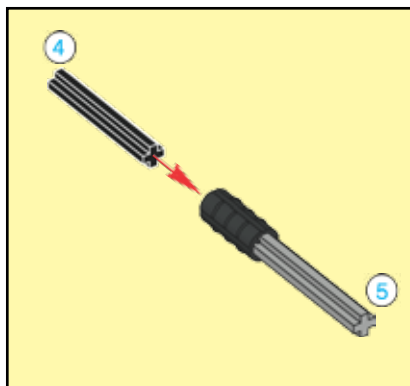


4

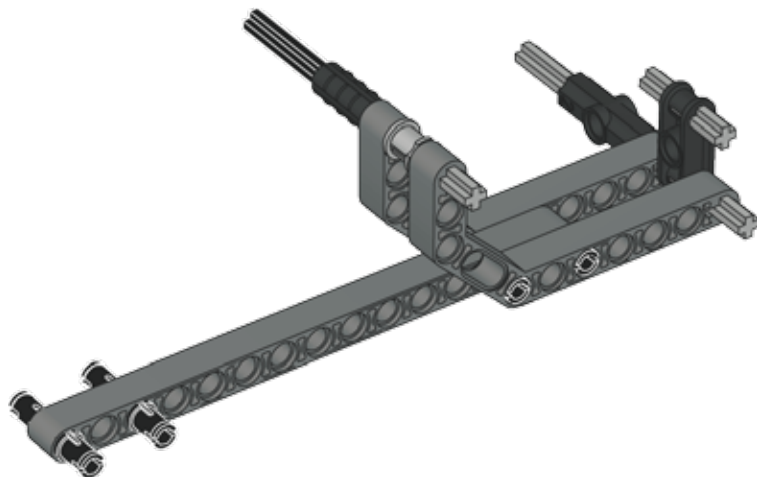


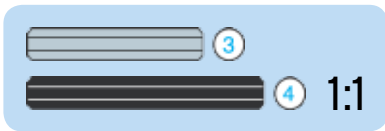
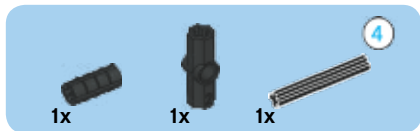


5

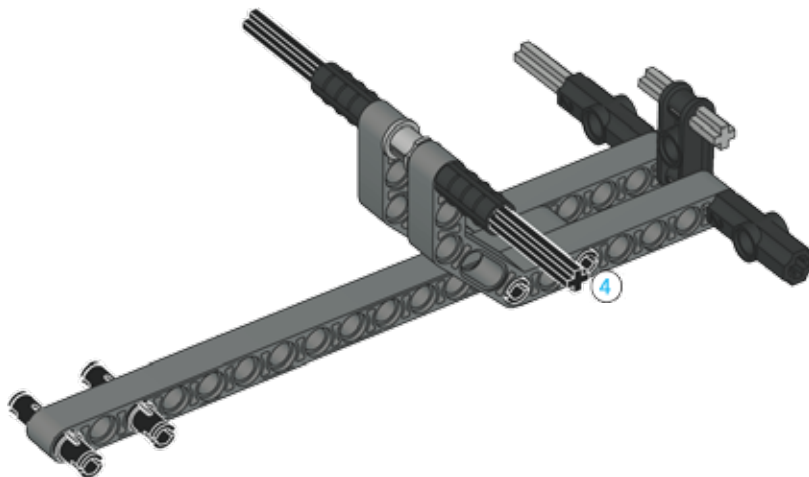


6

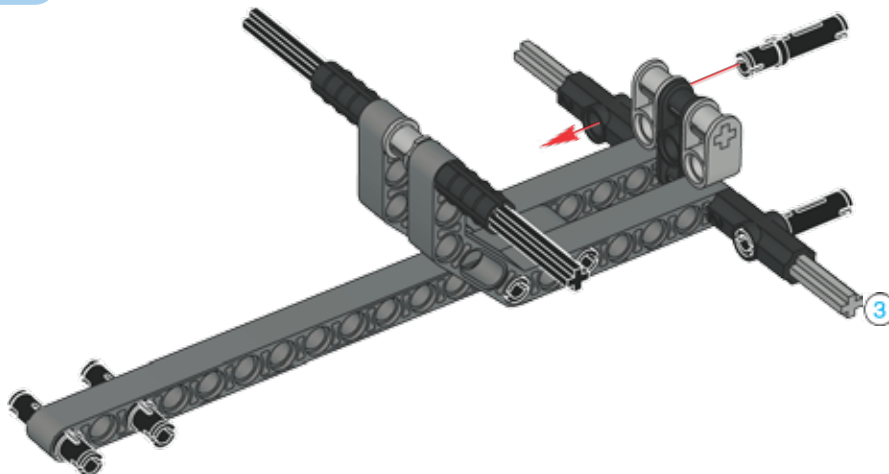




7

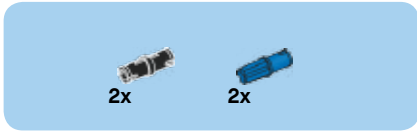
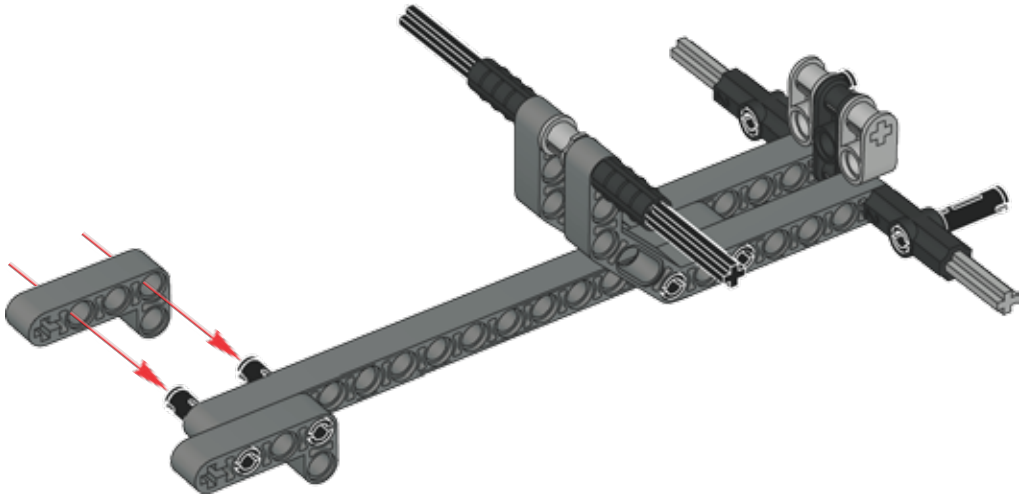


8

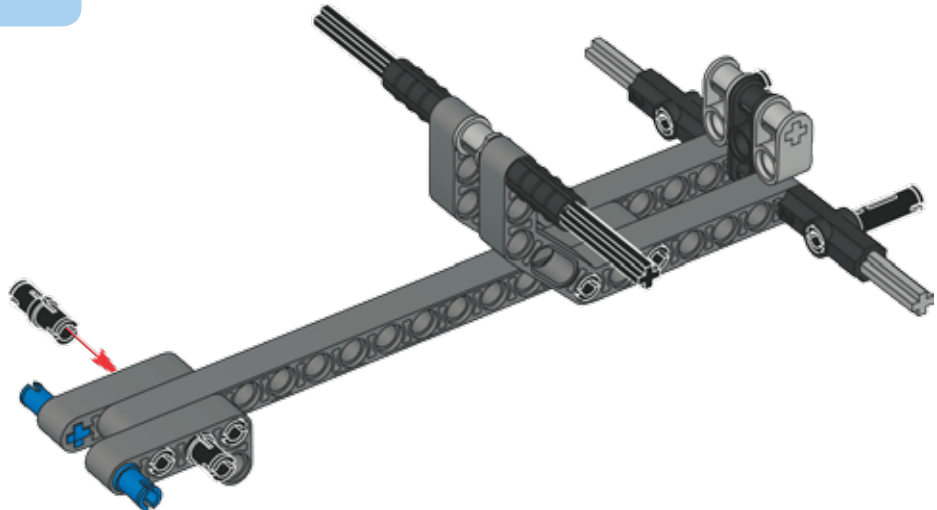


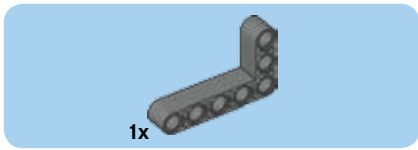


9

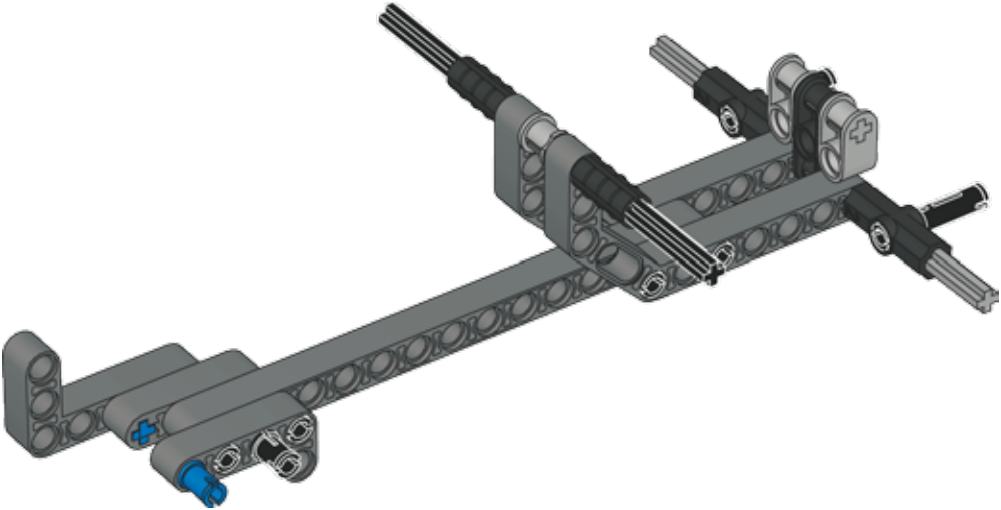


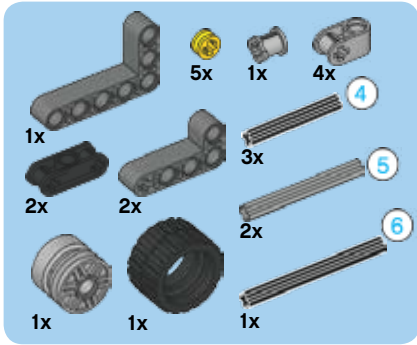
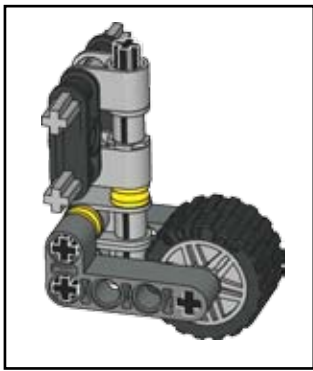
10



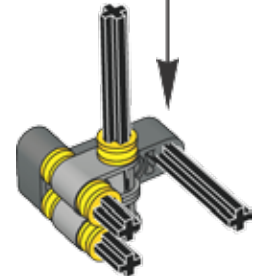
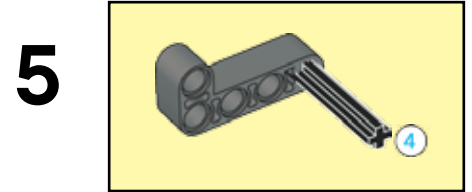
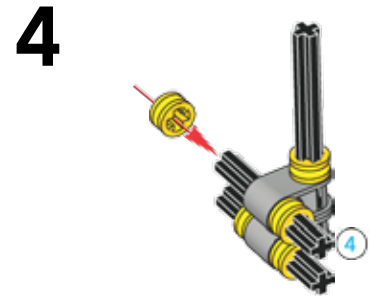
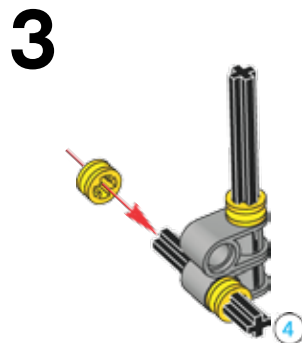
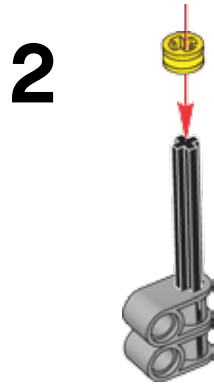
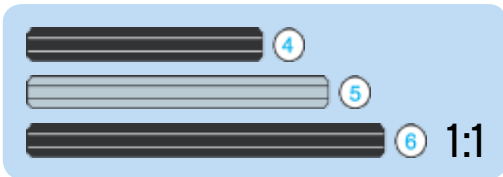


11

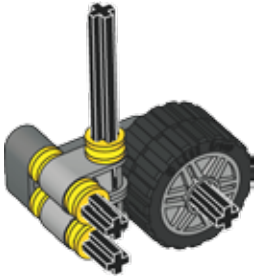




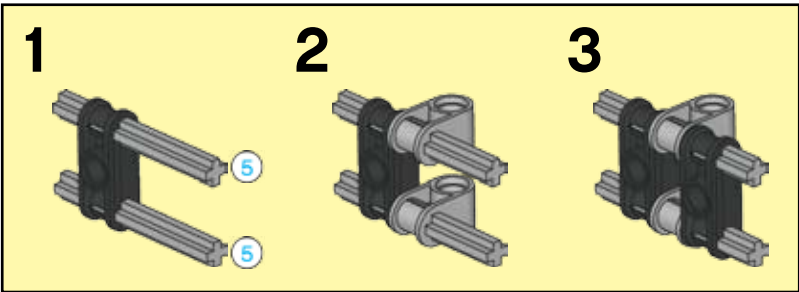
12



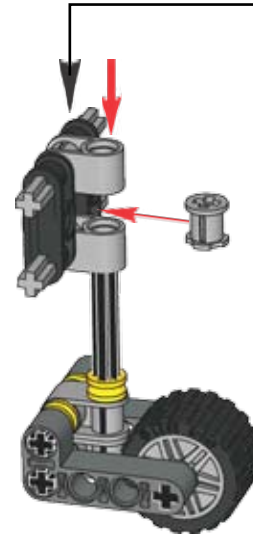
6



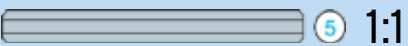
7

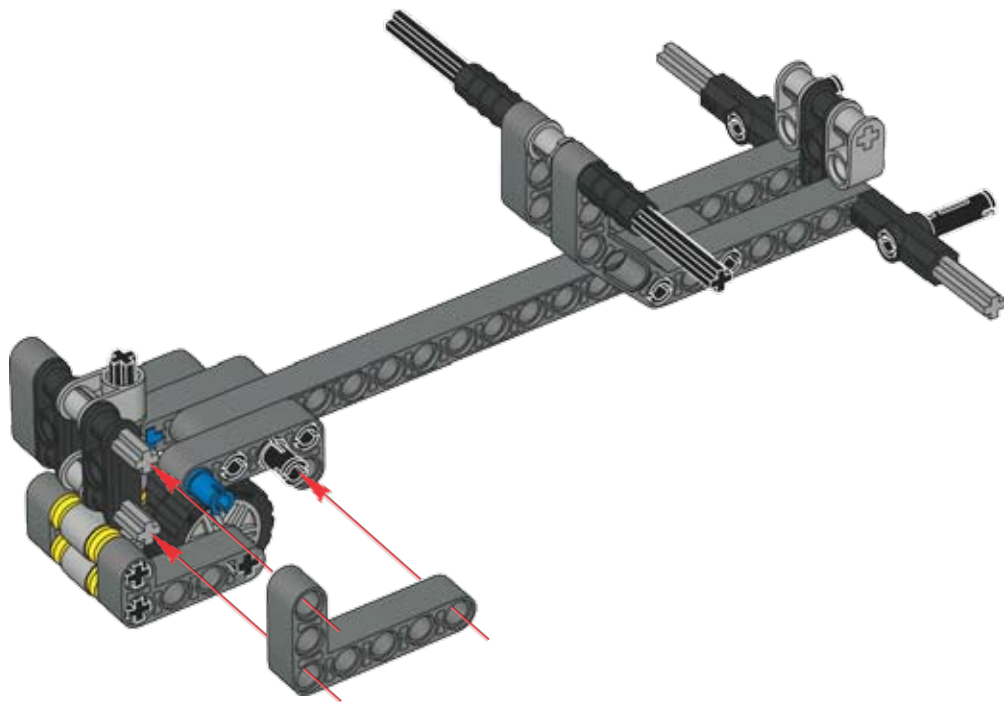


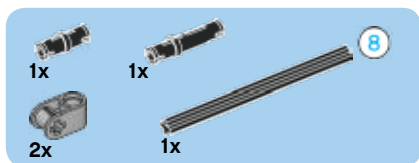
8



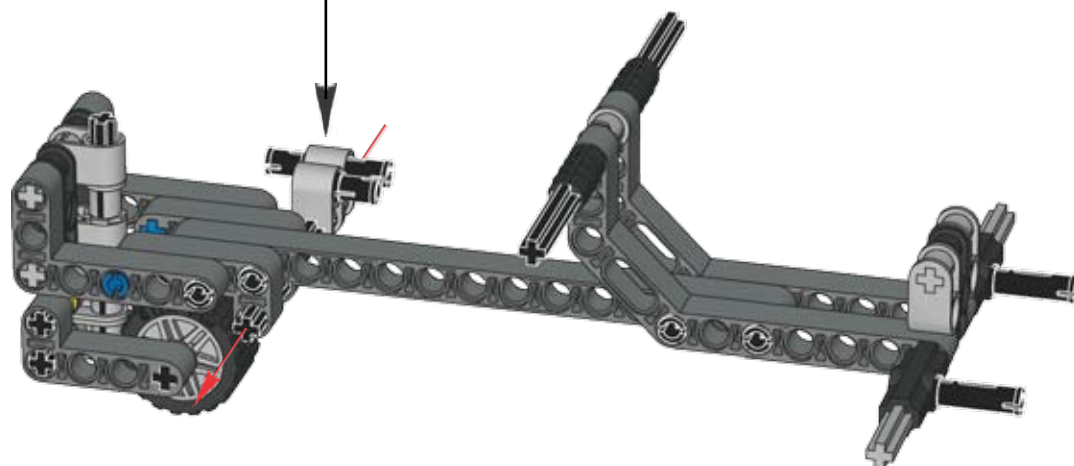
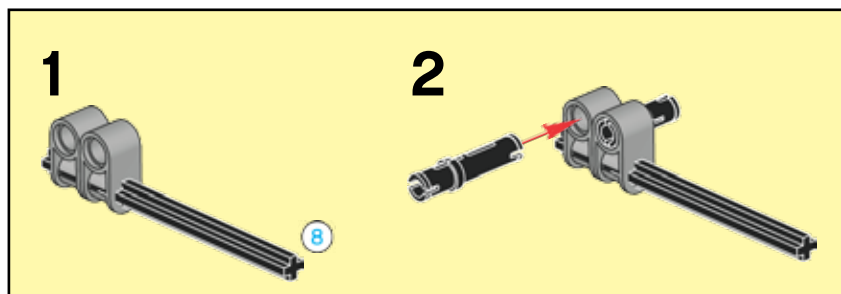
9







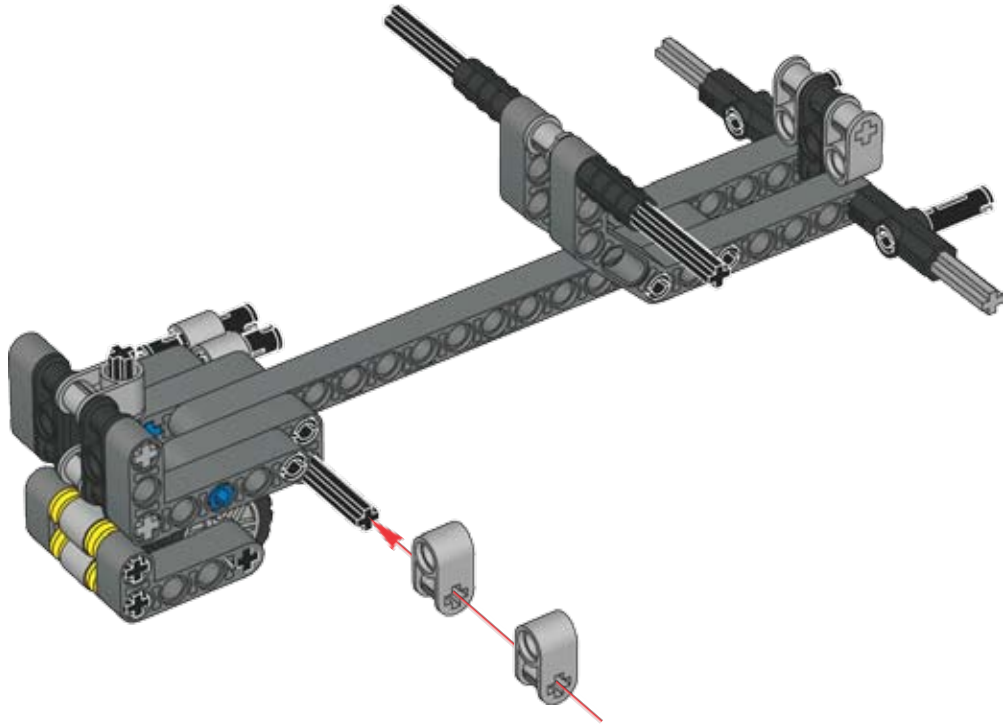
13





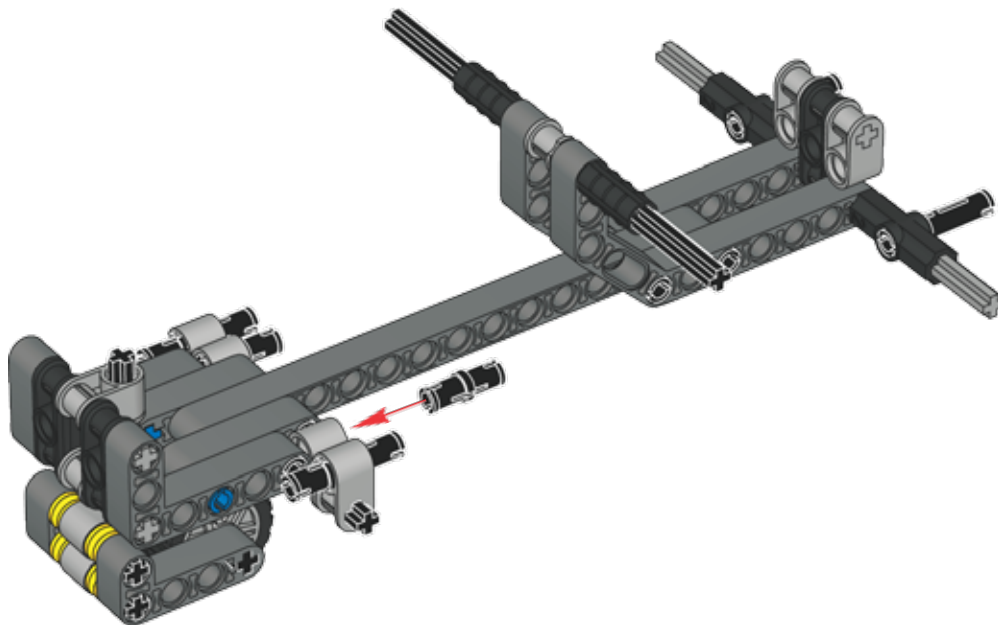
2x

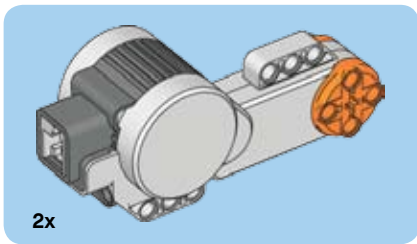
14



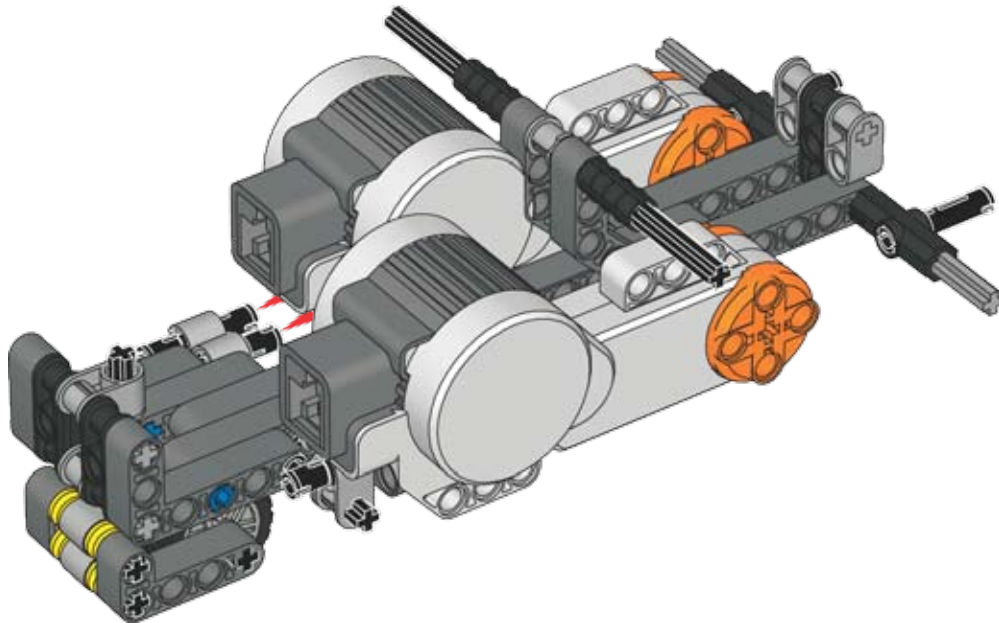


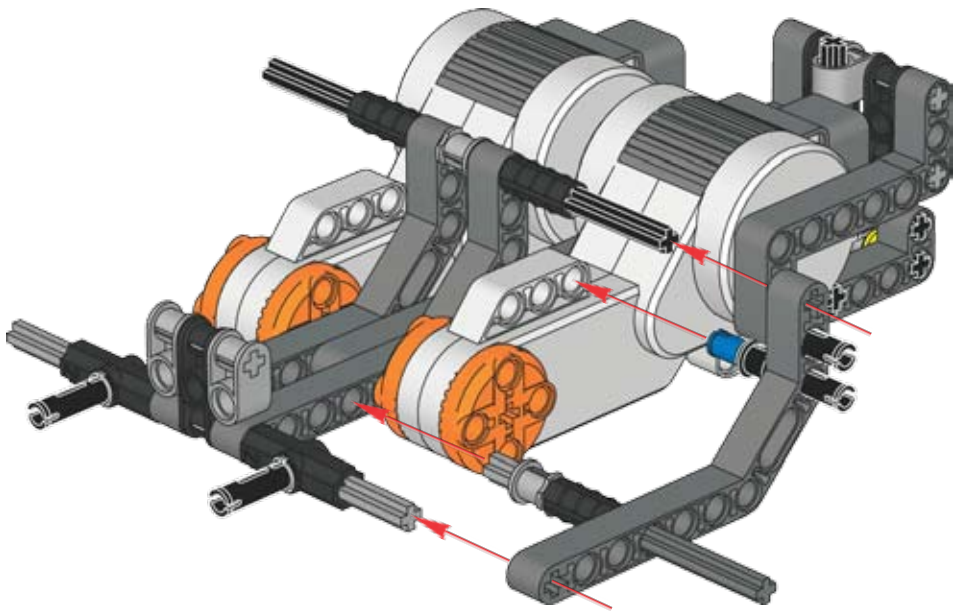
15

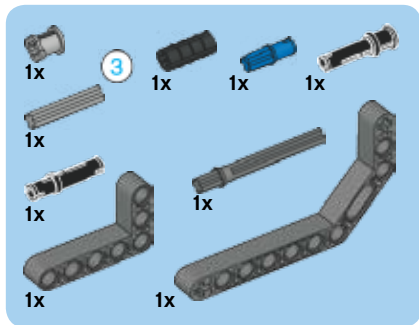




16

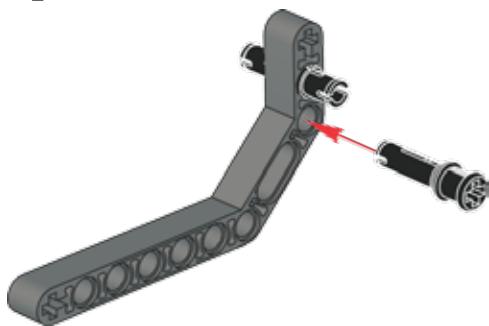




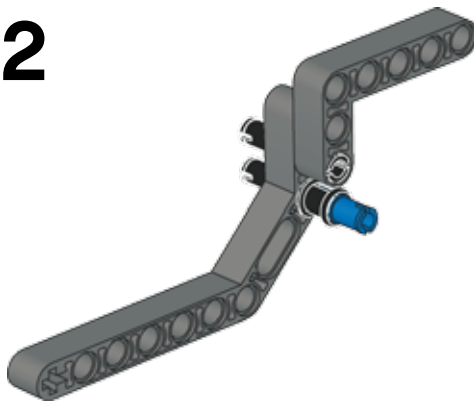


18

1

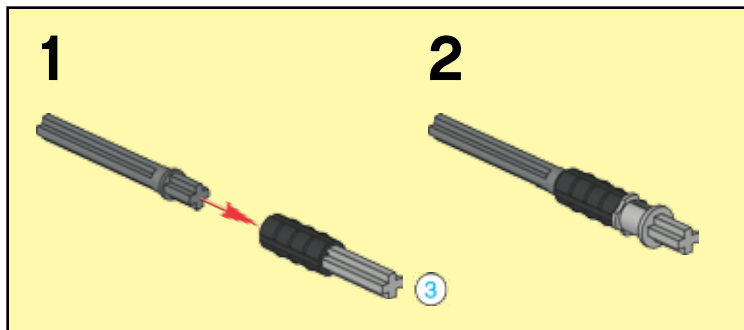


2

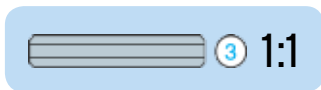
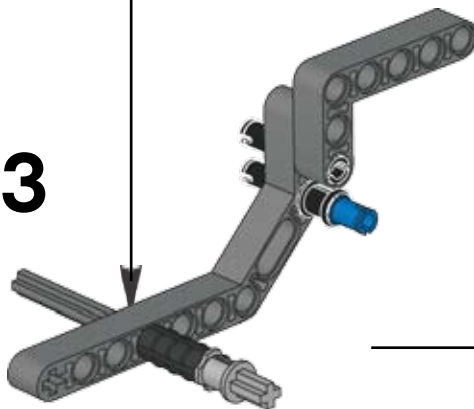


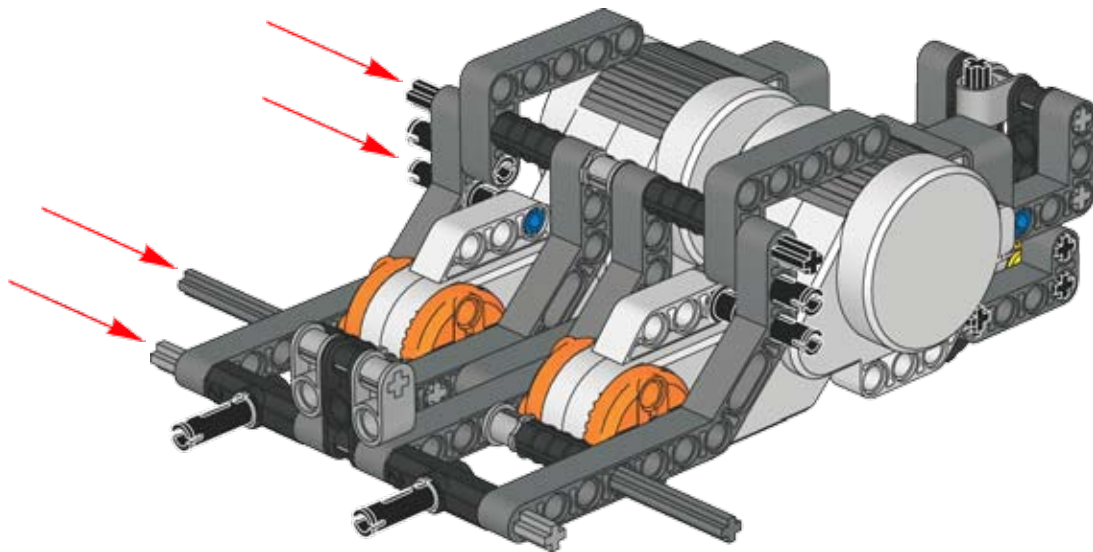
1

2



3

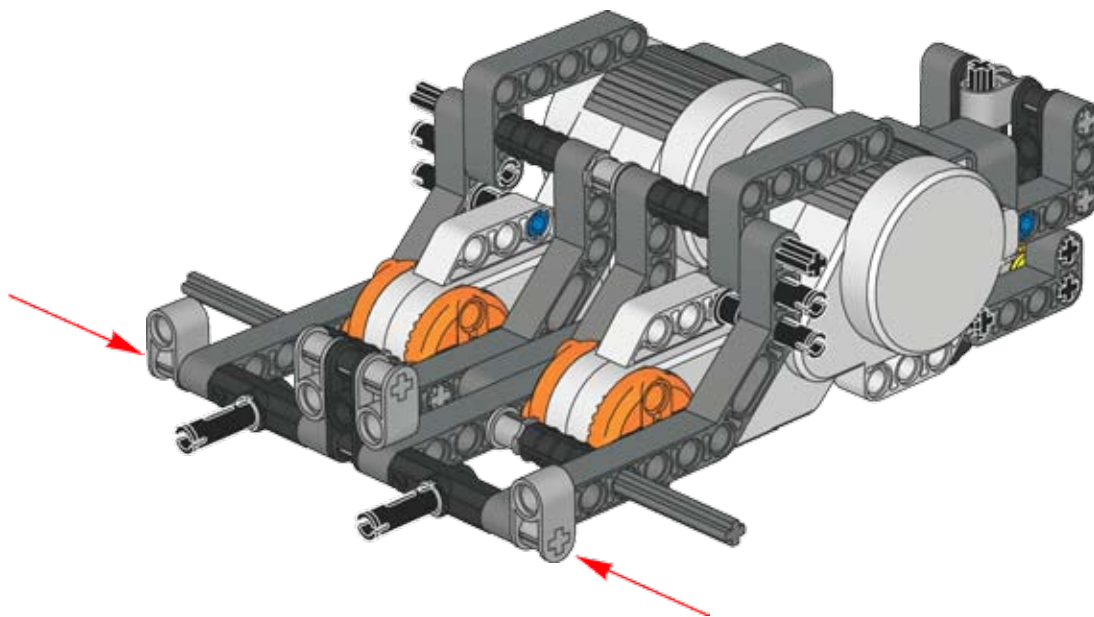


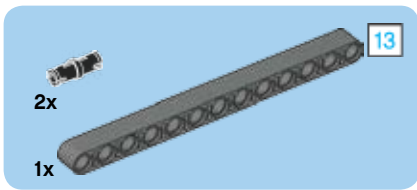




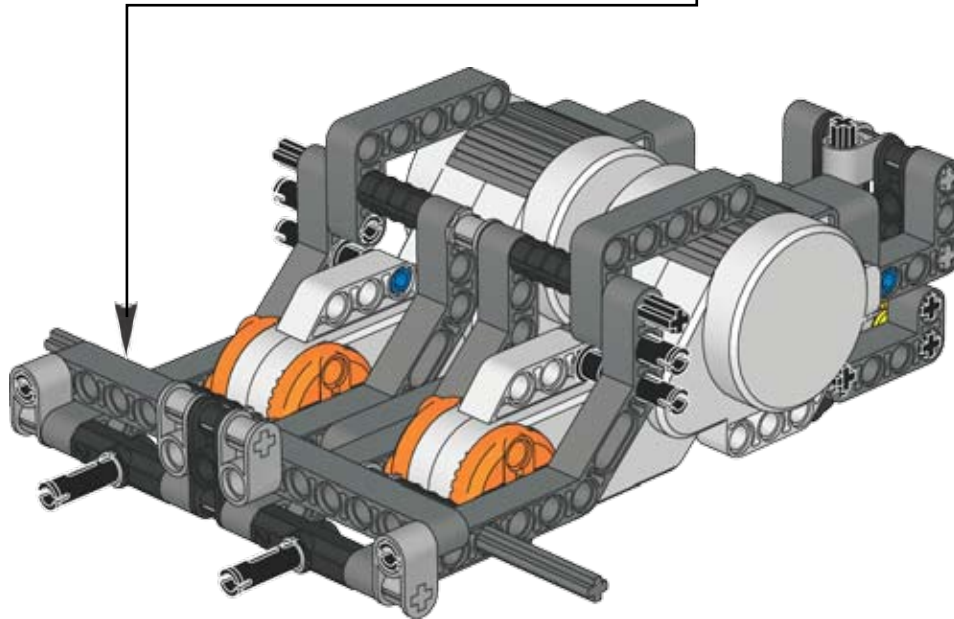
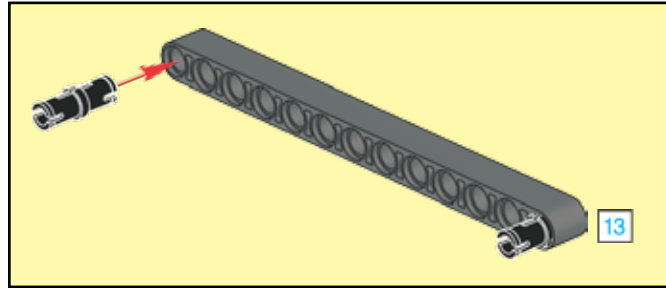
2x

19

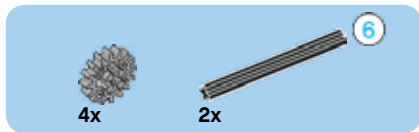




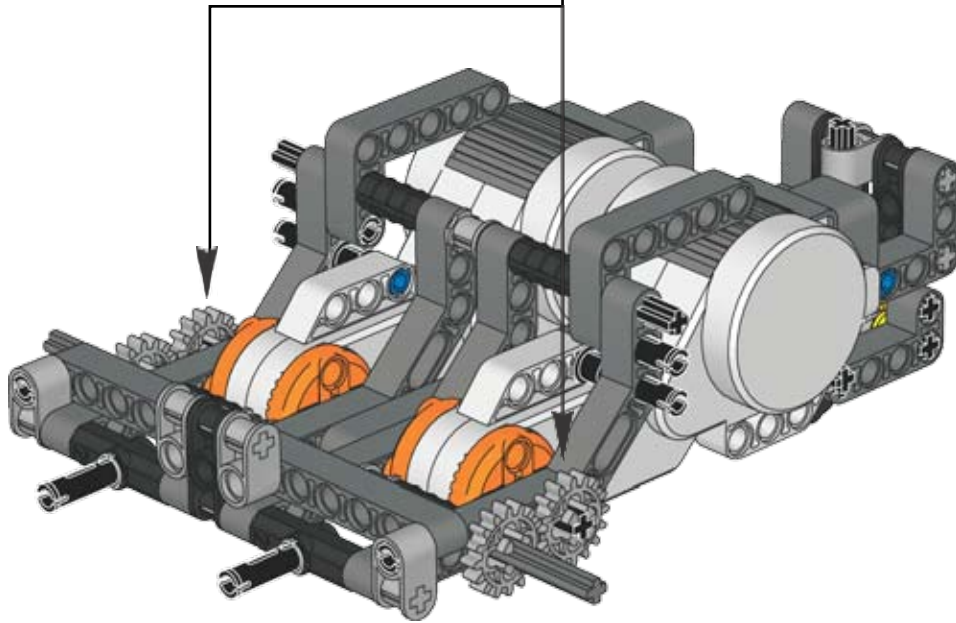
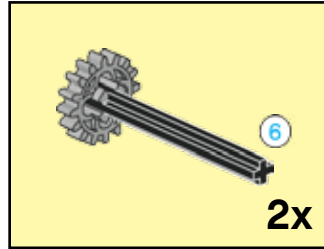
20



13 1:1



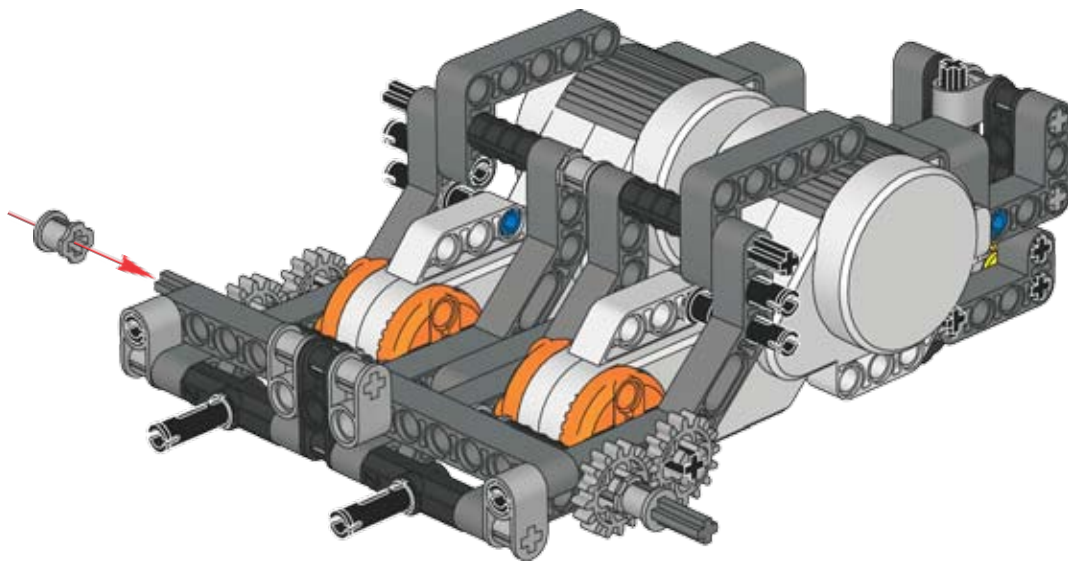
21

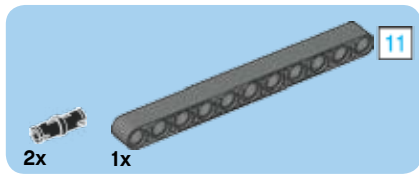




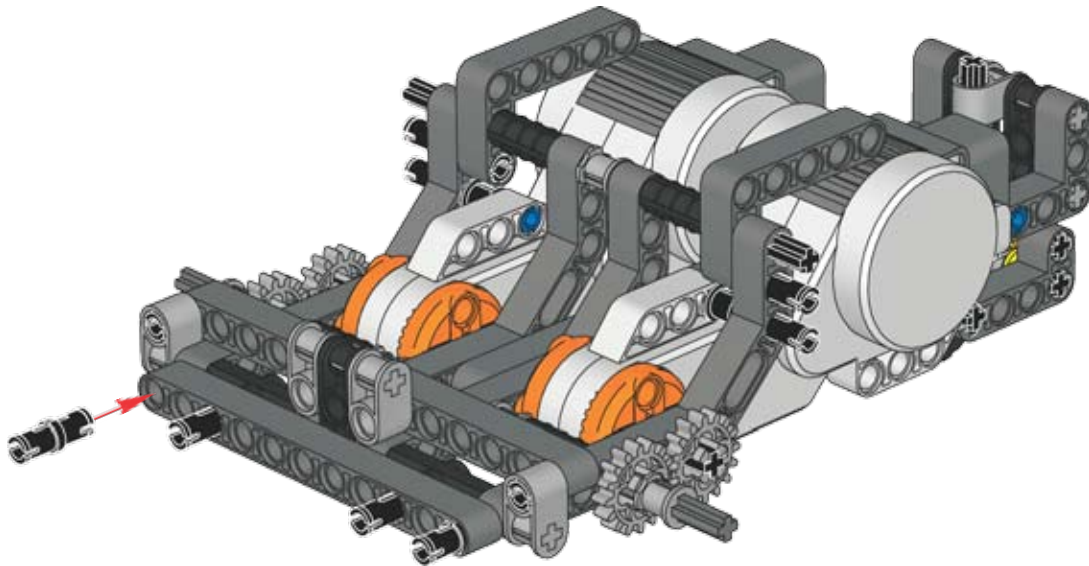
2x

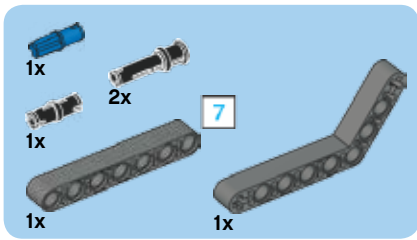
22



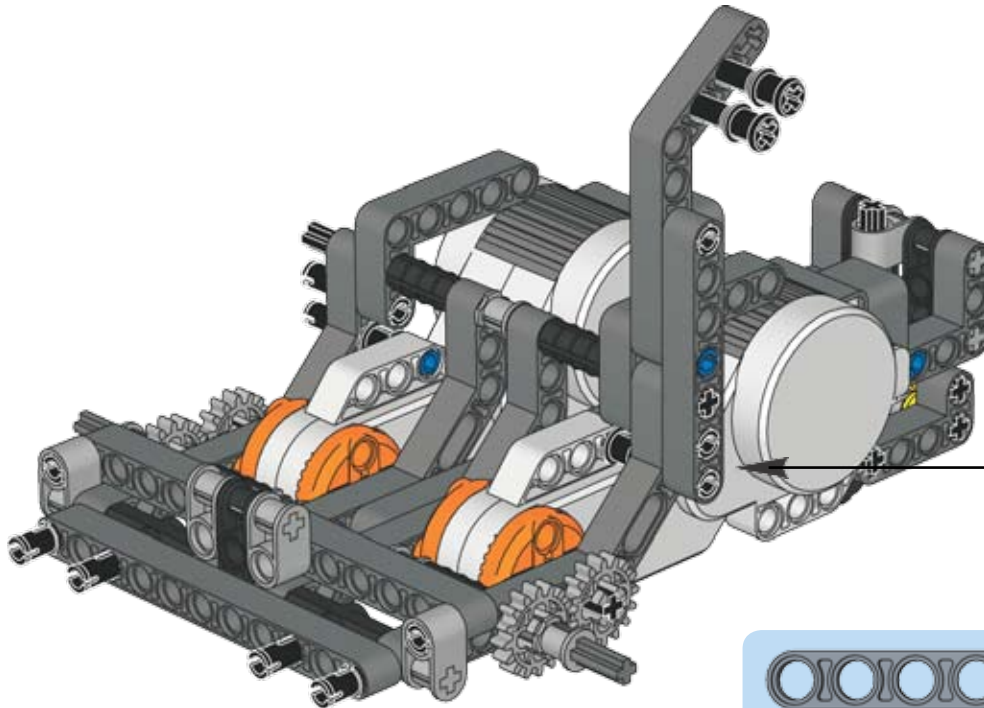
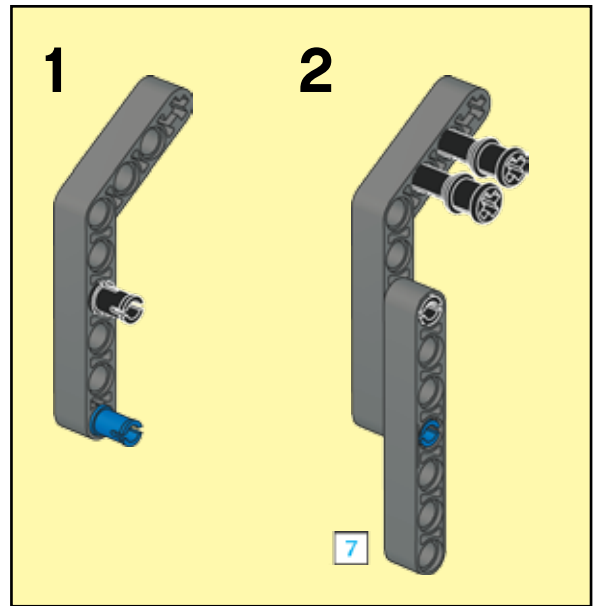


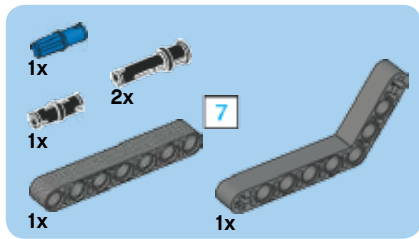
23



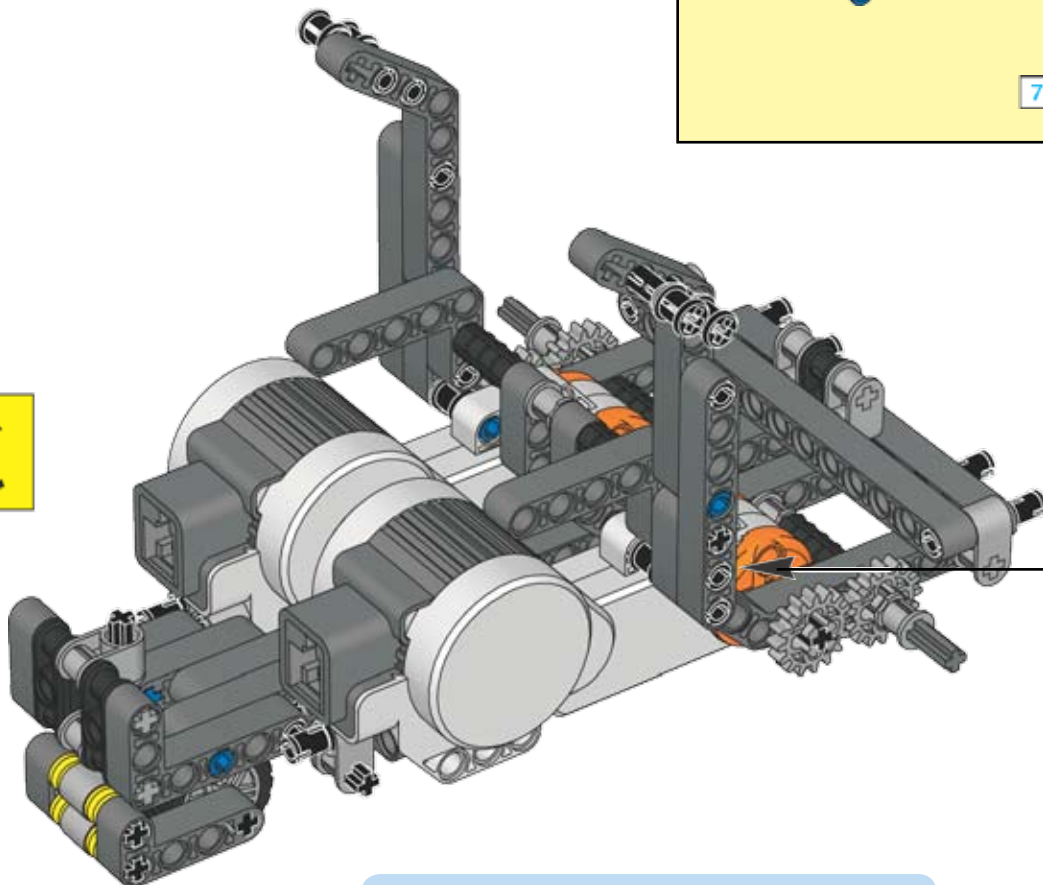
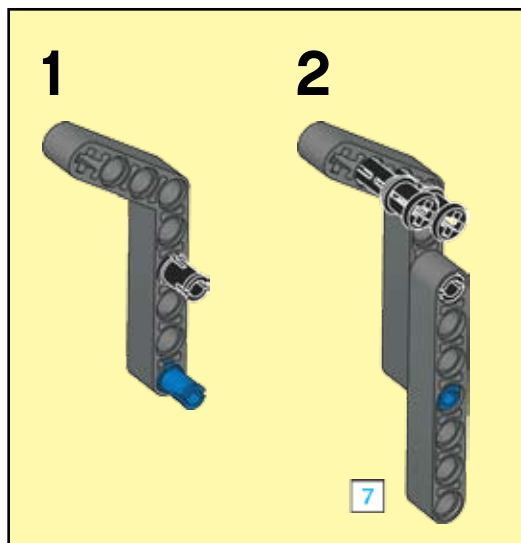


24



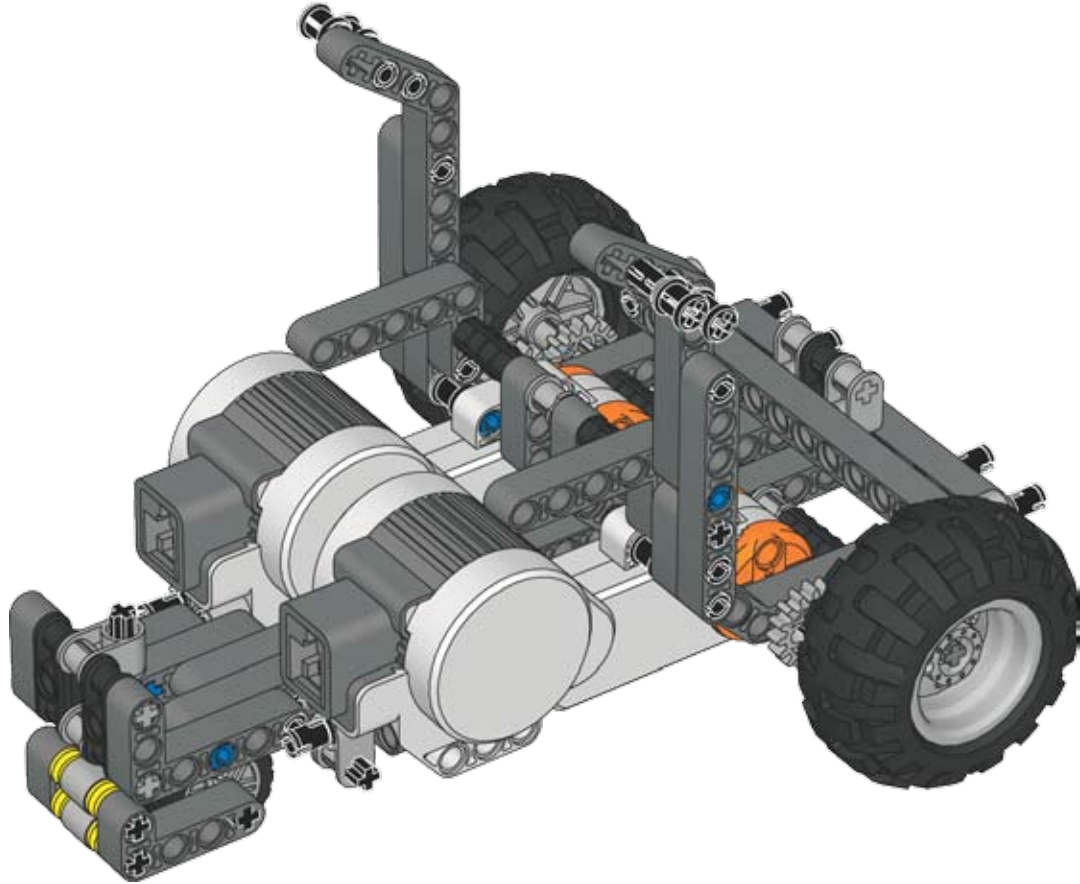


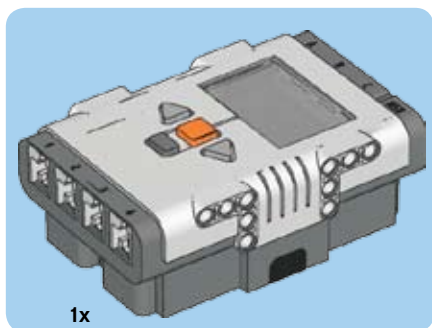
25





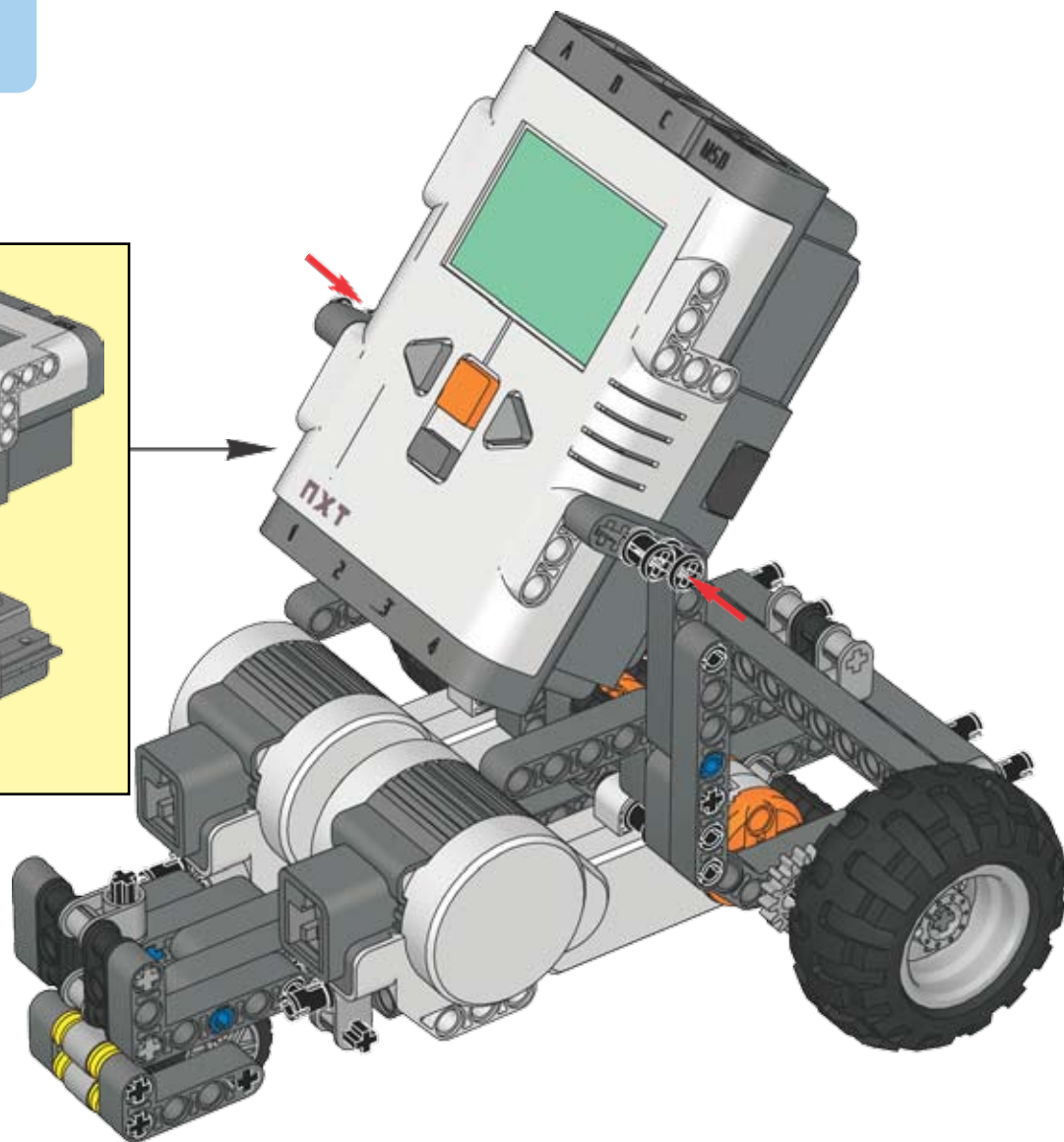
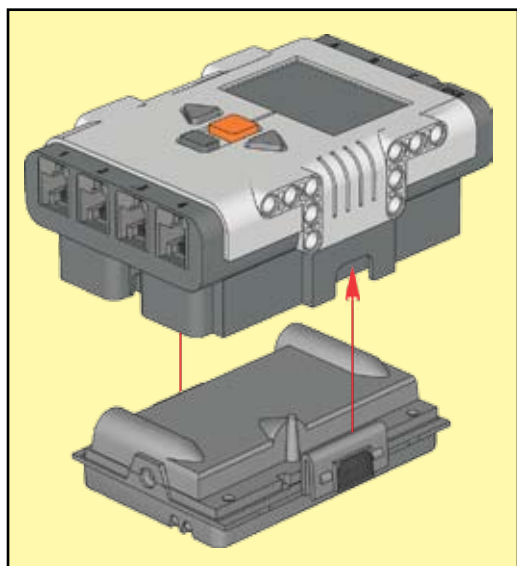
26





1x

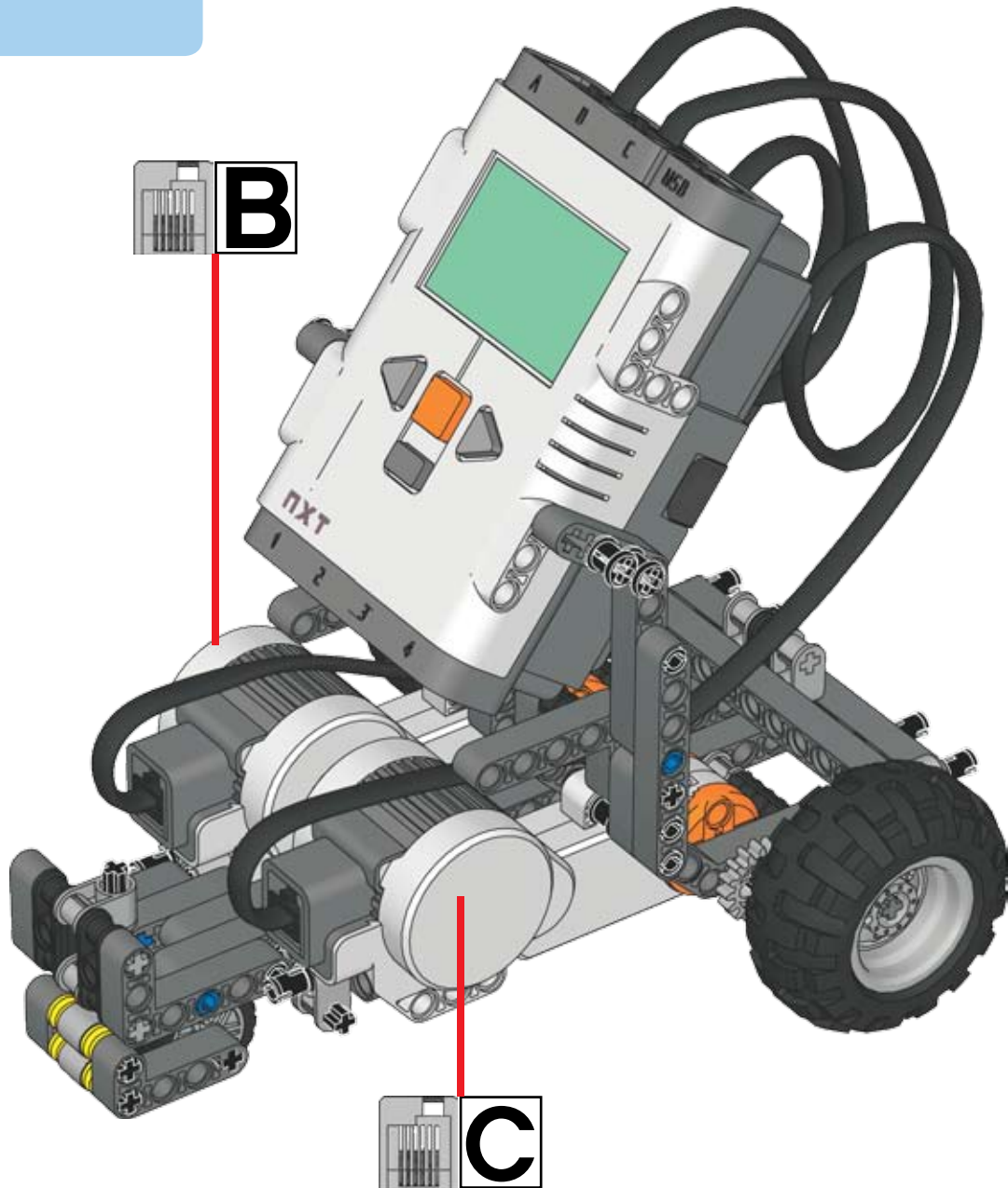
27



50 CM/20 INCH

2x

28



Your **TaskBot** is now complete!

