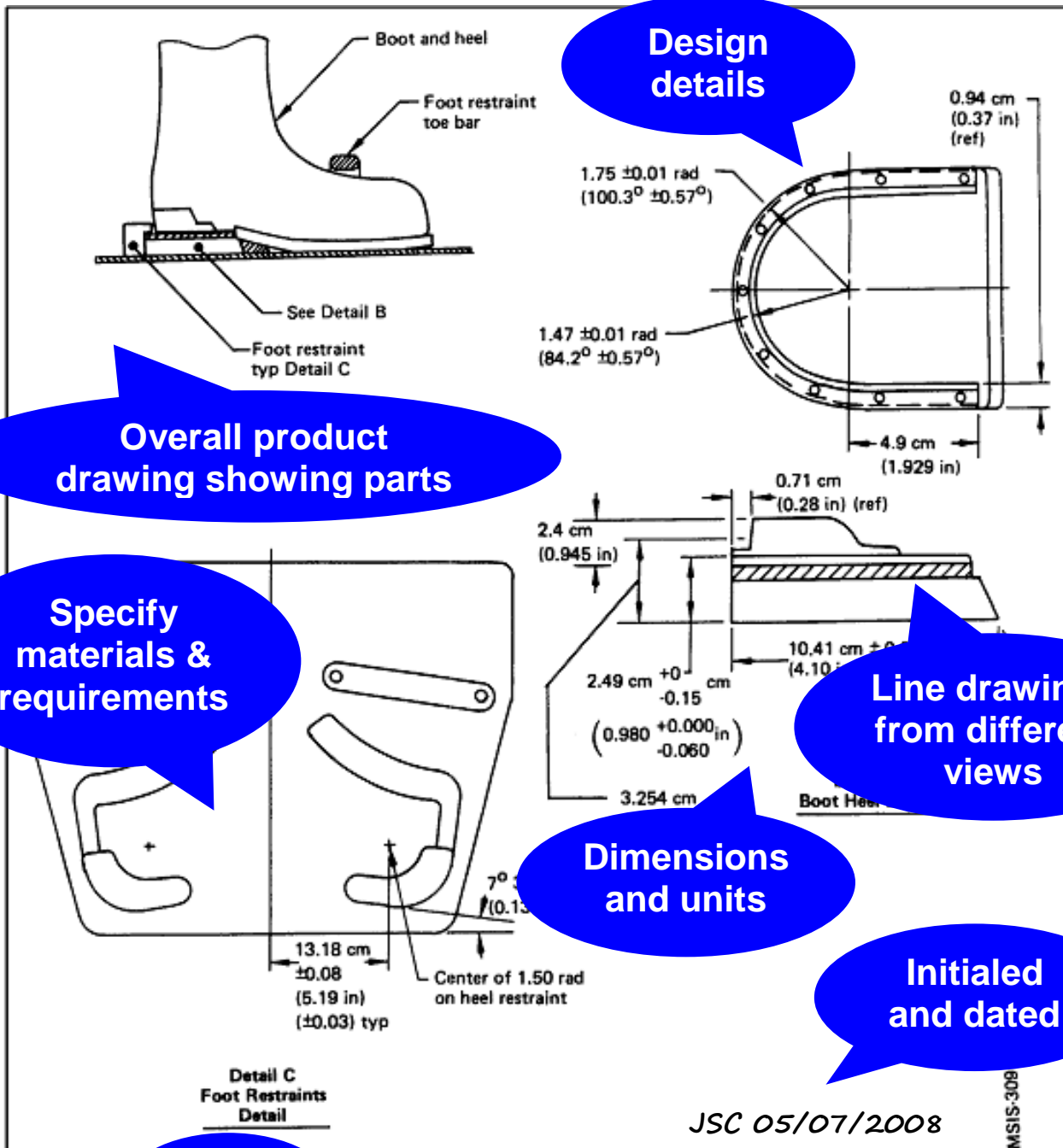


# Engineering Drawing Components

Include these components in your detailed engineering drawings.



Drawing source: NASA, <http://msis.jsc.nasa.gov/images/Section14/Image368.gif>

See more engineering drawings at: [http://msis.jsc.nasa.gov/sections/section14.htm#\\_14.1\\_GENERAL\\_EVA](http://msis.jsc.nasa.gov/sections/section14.htm#_14.1_GENERAL_EVA)

Design Step 6: Evaluate/Manufacture a Final Product Activity  
— Engineering Drawing Components