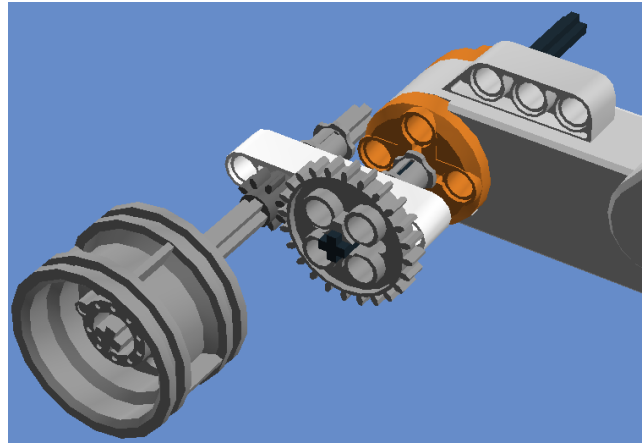


# Gears Pre-Assessment Survey

1. Describe 2 uses of gears?

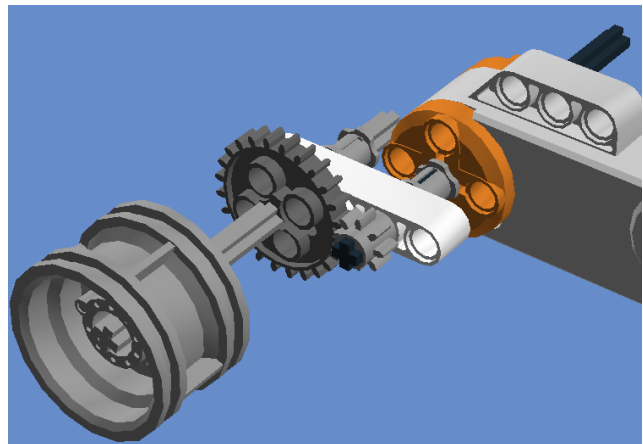
**A** Wheel is connected to **smaller** gear on the left.



2. In the figure on the right, which setup with gears will make the wheel turn faster? If you are not sure, write C.

3. In the figure on the right, which setup with gears will make the wheel move more weight? If you are not sure, write C.

**B** Wheel is connected to **larger** gear on the left.



4. What is the speed of a car that travels 10 miles in 2 hours? How did you get your answer?