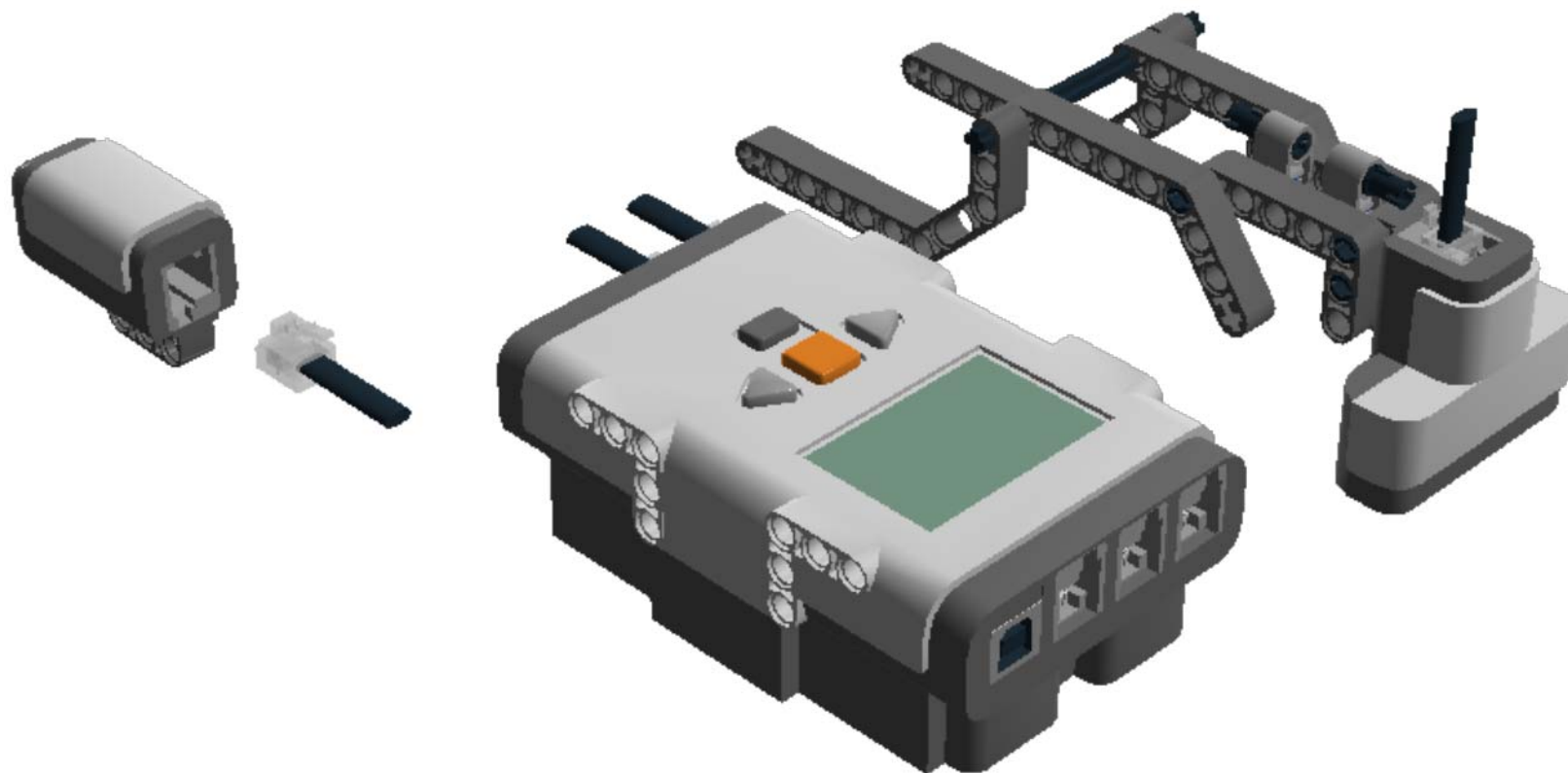




Model Name:

Untitled1

Number of Bricks: 22

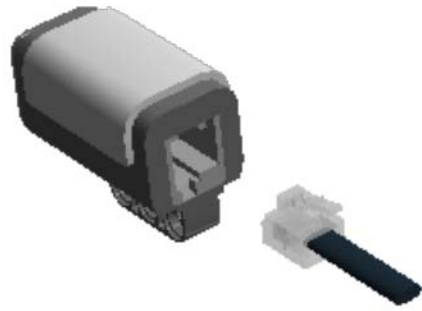


Step 1 of 10

1 x



1 x



1 x

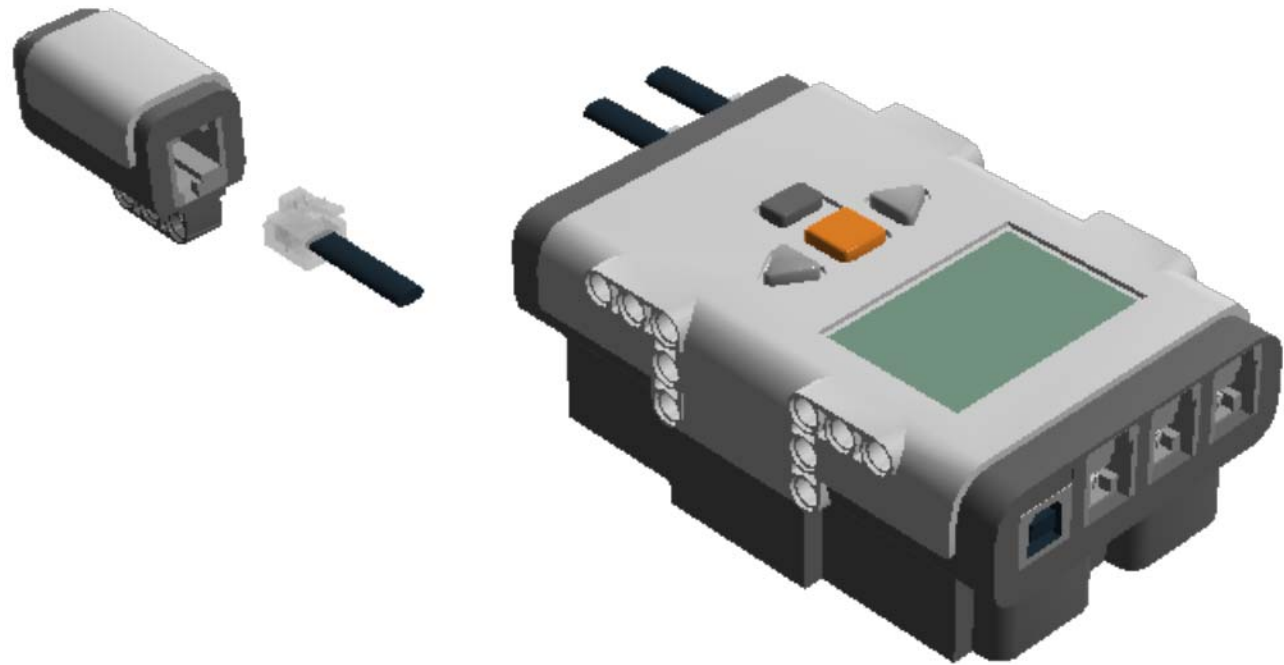


1 x



1 x





Step 5 of 10

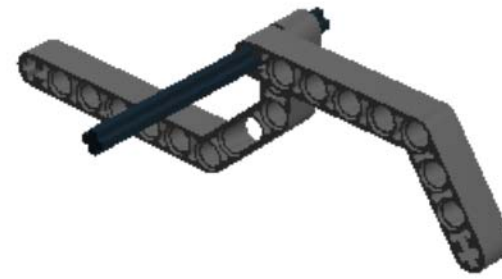
1 x



1 x



1 x



Step 6 of 10

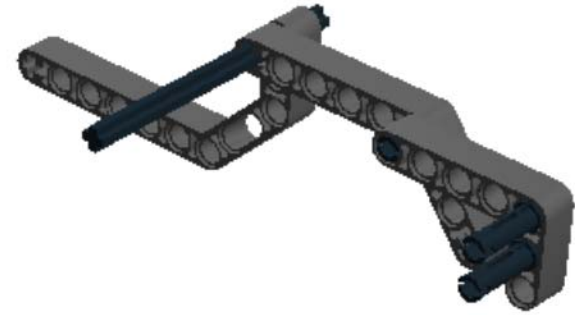
1 x



1 x



2 x



Step 7 of 10

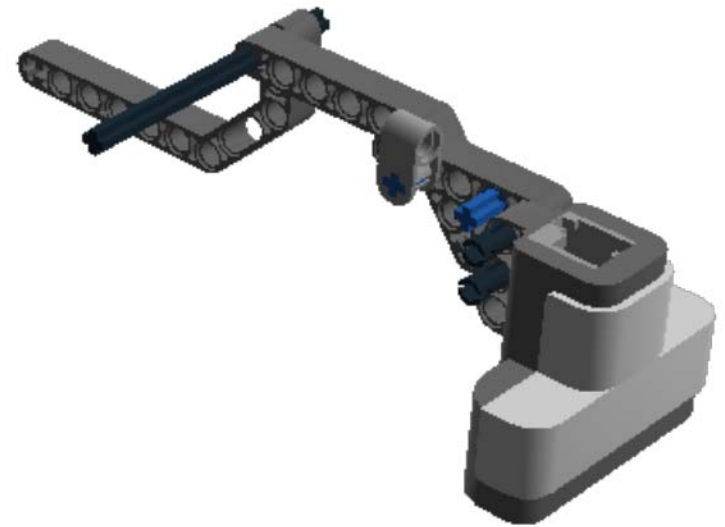
1 x



2 x



1 x





Step 8 of 10

1 x



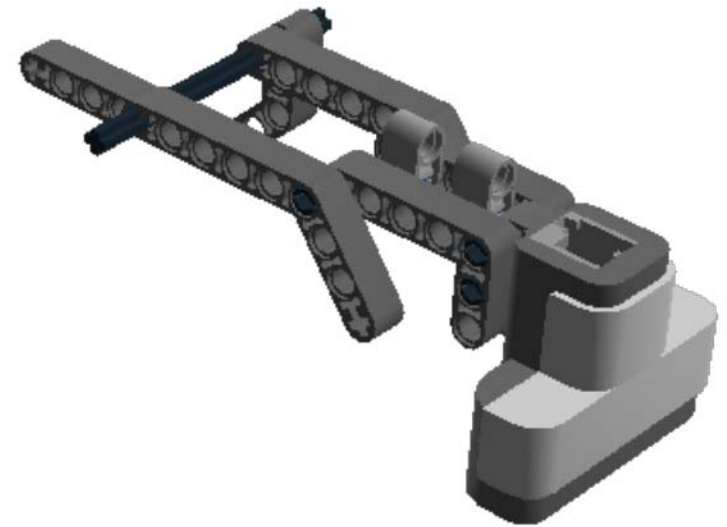
1 x



1 x



1 x



Step 9 of 10

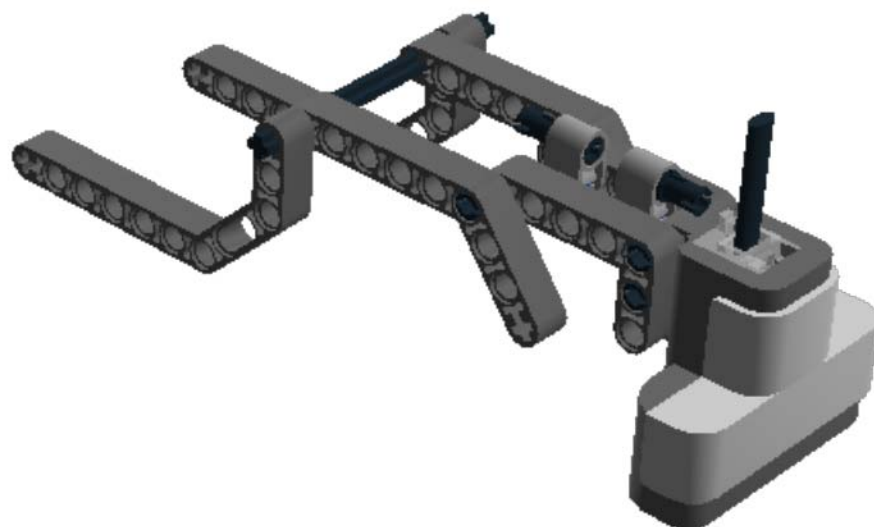
1 x




1 x





2 x







2 x  4297188 Cable 368 mm - Black, Transparent


2 x  4297185 Cable 495 mm - Black, Transparent


1 x  4296929 Push sensor - Bright Orange, Medium Stone Grey, Dark Stone Grey, Light Stone Grey


1 x  4297174 Ultrasound sensor - Bright Orange, Medium Stone Grey, Dark Stone Grey, Light Stone Grey

1 x  4520887 NXT - Black, Bright Orange, Sand Green, Medium Stone Grey, Dark Stone Grey, Light Stone Grey, Cool silver, drum lacq


2 x  4210753 TECHNIC ANG. BEAM 3X5 90 DEG. - Dark Stone Grey


2 x  4210638 TECHNIC ANGULAR BEAM 4X6 - Dark Stone Grey


2 x  4210668 DOUBLE ANGULAR BEAM 3X7 45° - Dark Stone Grey

4 x  4121715 CONNECTOR PEG W. FRICTION - Black

2 x  4206482 CONN. BUSH W. FRIC./CROSSALE - Bright Blue

2 x  655826 CONNECTOR PEG W. FRICTION 3M - Black

2 x  4211775 CROSS BLOCK 90° - Medium Stone Grey

1 x  370726 CROSS AXLE 8M - Black

